

IRIS PS72

Back-up Power Supply Unit

EN54-4

Description

IRIS PS72 is a power supply unit designed for back-up power supply of IRIS PRO addressable fire alarm panel. The power supply unit is placed into a metal box suitable for building of a modular structure with the addressable panel and a second power supply unit, and IRIS thermal printer. The access to the main board and the cable connections is secured with a key.

The power supply unit is designed for indoor use only.
IRIS PS72 is certified to EN54-4.



Technical and Environmental Specifications

Main power supply 230V~ +10%/ -15%, 0.6A, 4A fuse

Frequency 50-60Hz

DC Output:

- Voltage 9.9-14.2V==

- Max. Current 7A@1 battery, 14A@2 batteries

Int. resistance of the battery Ri . . < 0.30hm

Max. battery capacity 2x12V/18Ah

Charger outputs 13.65V== ±1%@20°C, max. 2A

Degree of protection IP30

Installation wires 0.5mm²-2.5mm²

Color of the box grey

Material metal powder-coated

Operation temperature -5°C ÷ +40°C

Storage temperature -10°C ÷ +60°C

Relative humidity (93 ± 3)% @ +40°C

Dimensions 430x330x117mm

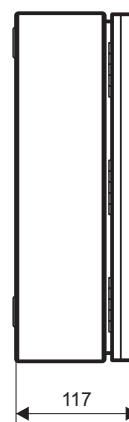
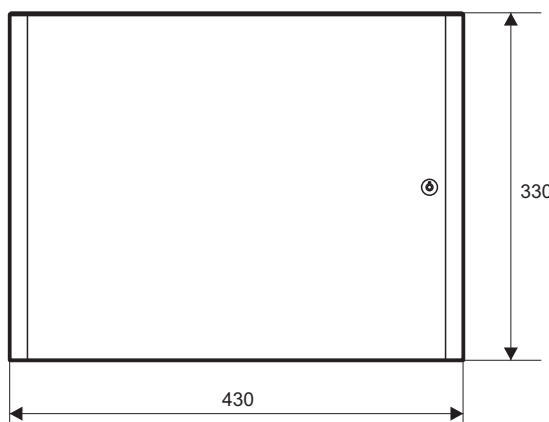
Max. dimensions of 1 battery . . . 167x181x76mm

Weight (without batteries) ~6kg

CE₁₈
1293

DoP No: 059
1293-CPR-0610

EN 54-4:1997
EN 54-4:1997/AC:1999
EN 54-4:1997/A1:2001
EN 54-4:1997/A2:2006

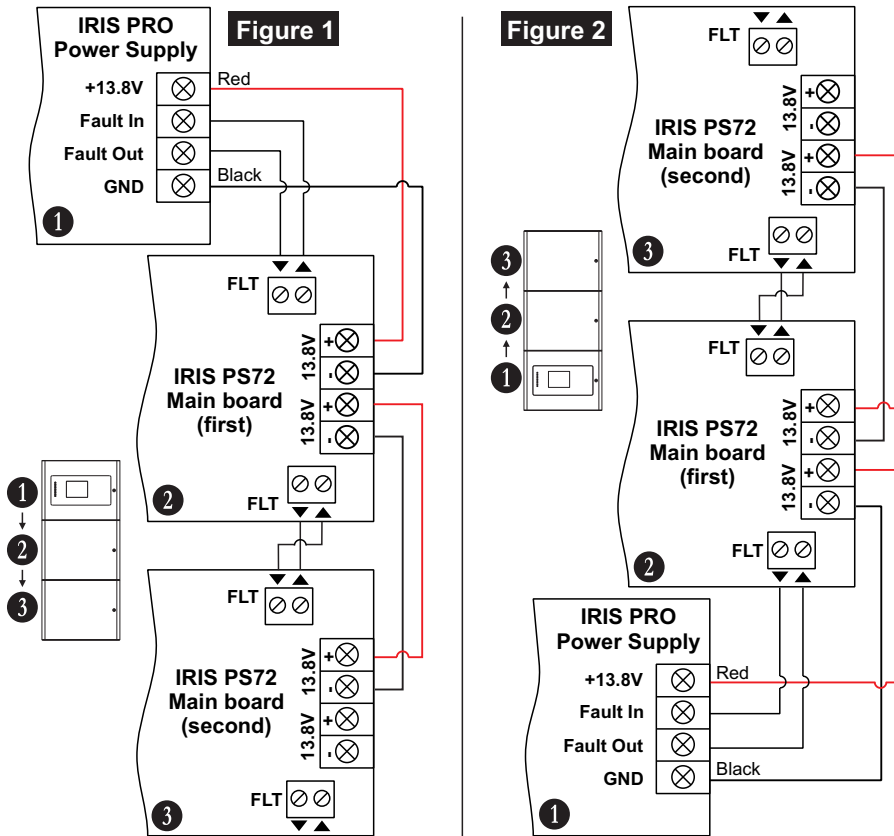


Contact Information:

IRIS PS72 Back-up Power Supply Unit

EN54-4

Connection Diagrams



Packing Information

- **Single packing box** - 1 unit IRIS PS72, dimensions 435x335x122mm
- **Carton packing box** - 2 units IRIS PS72, dimensions 507x427x335mm

Compatible Product Range

- **IRIS PRO** - Addressable Fire Alarm Panel, 4 loops, 96 zones
- **IRIS Thermal Printer** - Optional thermal printer in metal box

Contact Information: